

Series 81

Turbo Motorised



The Oslo Series 81 Turbo tracking system is a light weight motorised track with stylish slim lines. Featuring the Easy Clip brackets that are designed for ease of installation while being concealed from view.

The slimline design allows for curtain headings to sit flush with the ceiling hiding the track when closed.

With an incredible tight 150mm radius for a motorised track the Oslo Series 81 Turbo track can be applied in areas other motorised tracks can't. Utilising the same powerful but quiet 75-watt motor as the Series 84 means it integrates seamlessly with other Series 84 tracks and remotes.

3 - Core with remote and dry contact control or 4 - Core hard wired for home automation motors available.

Advantages:

Slimline

Tight 150mm Radius

Easy Clip Brackets

Same motors and remotes as Series 84

3 and 4 core motors

Integrates seamlessly with Series 84 motorised tracks

Cost effective

81

SERIES



8120

Motorised Tracking 6m lengths

Colour: White

Qty: Lengths



8401

Curtain Motor 75w 3 Core W/Rec

Colour: White

Qty: Each

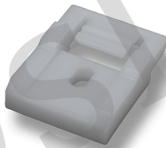


8402

Curtain Motor 75w 4 Core No Rec

Colour: White

Qty: Each

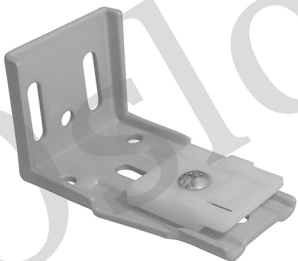


7453

Easy Clip Ceiling Bracket

Colour: Opaque

Qty: Each

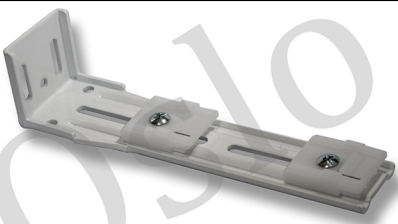


7455

Single Wall Bracket

Colour: White

Qty: Each



7455L

Double Wall Bracket

Colour: White

Qty: Each

81

SERIES



8493/1

Glass Single Channel Remote

Colour: White

Qty: Each



8493/15

Glass 15 Channel Remote

Colour: White

Qty: Each



8493/T

Glass Timer Remote

Colour: White

Qty: Each



8494

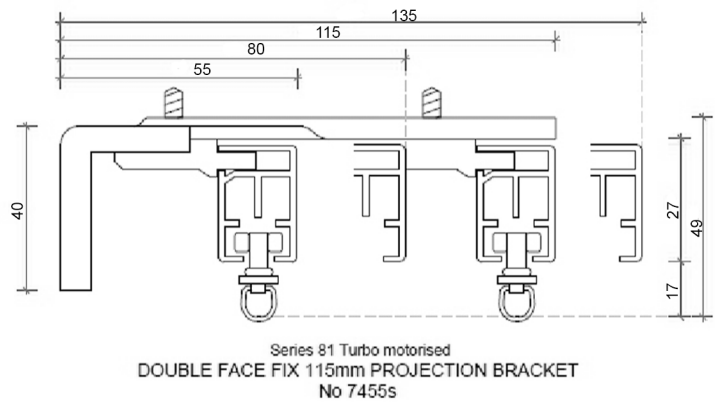
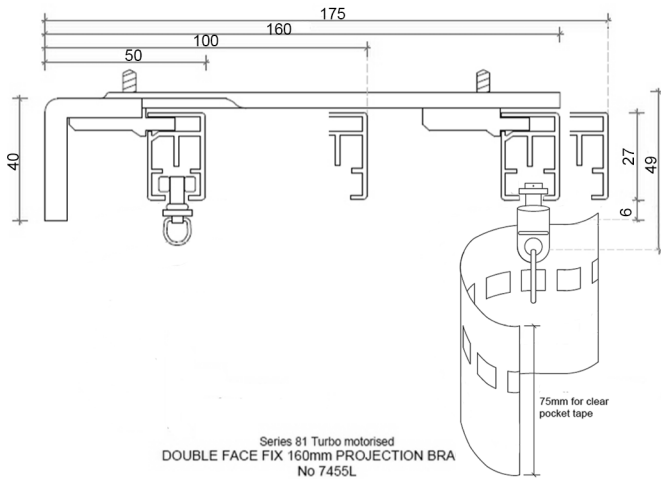
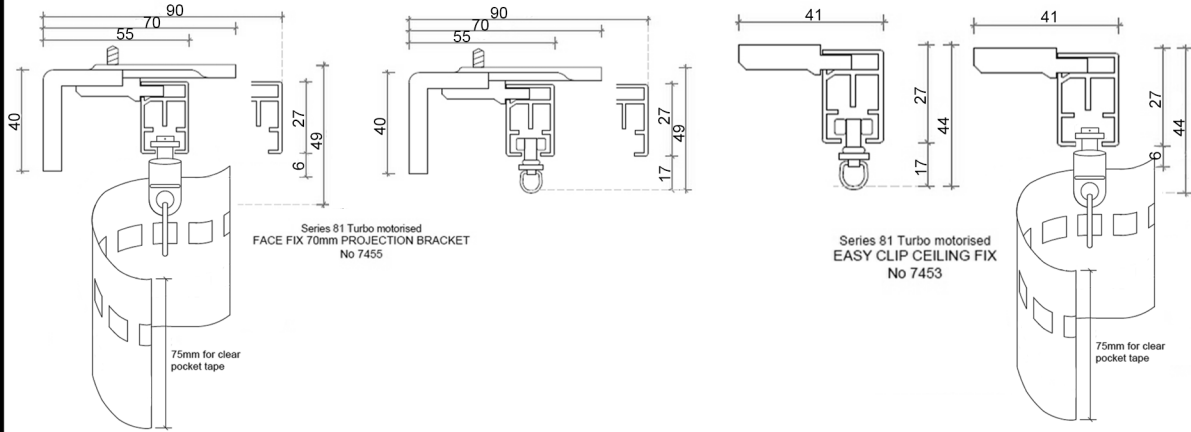
Connector Bridge for Smart Phone App

Colour: White

Qty: Each

81

SERIES



Track Bending

