

Series 85

Acmeda Automate Motorised Curtain



Pairing the Oslo Series 84 tracking with the Acmeda Automate motor, the Acmeda system reaps many benefits. Designed to incorporate smart technology, this system is easily one of the best options for the modern home. Featuring Soft Touch technology to automatically open and close your curtains with one soft touch and auto adjusting speed limits. With an operating capacity of up to 60kg and a heavy duty joiner, this tracking system is suitable to carry heavy fabric curtains up to 12 meters wide.

Compatible with both standard and S wave curtain headings, the Acmeda tracking system is bent in house to a 300mm radius or custom bent with continuous curves. Templates are required for continuous bends.

The Acmeda Automate is operated by the Automate Paradigm remote controls and Automate Pulse hub, allowing you to control your curtains directly from your phone.

Advantages:

60-kilogram operating capacity.

Easy automatic limit setting..

Soft Touch Start.

Smartphone operation.

Quiet motor.

In house bending, degree and radial.

Conventional and S-Wave runners.

5 year warranty on motors.

Compatible remotes with Acmeda roller shades and awnings.

Track joiner to cover up to 12m.

85

SERIES



ACMEDACH

Acmeda USB Wall Charger with 4m Cable

Colour: White

Qty: Each



ACMDAHUB

Acmeda Automate pulse 2

Colour: White

Qty: Each



ACMEDAR 5

Acmeda Push 5 Remote

Colour: White/Black

Qty: Each



ACMEDAR15

Acmeda Paradigm Plus 15 Ch Remote

Colour: White

Qty: Each

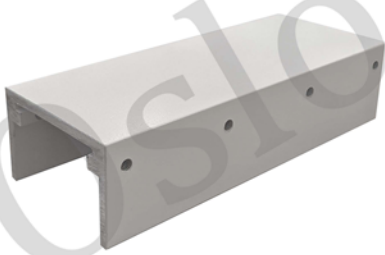


8420

Motorised Tracking 6m, 4m lengths

Colour: White

Qty: Lengths



8447

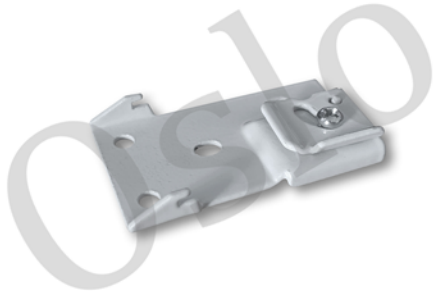
Track Joiner

Colour: White

Qty: Each

85

SERIES



8453
Ceiling Bracket
Colour: White
Qty: Each



84455
Single Series 84 face fix to suit bracket covers
Colour: White
Qty: Each



84455L
Series 84 Double face fix to suit bracket covers
Colour: White
Qty: Each



7498
Bracket Cover
Colour: White, Black, Platinum, Cafe Pearl
Qty: Box of 400

85

SERIES

AUTOMATE™

Pulse 2

The Pulse 2 connects to home networks to unlock the luxury of automated shade control. Experience customization with scene and timer options as well as voice control via Google Assistant, Amazon Alexa and Apple HomeKit.



VOICE CONTROL

Intuitively control Automate shades with simple voice commands through Google Assistant, Amazon Alexa or Apple HomeKit.



AUTOMATE APP CONTROL

Control shades remotely, whether home or away. The Automate app is available for all Android phones, tablets and iOS devices, including Apple watches & iPads.



SUNRISE & SUNSET DETECTION

Utilizing time zone and location, the Pulse 2 can automatically raise or lower Automate shades according to the position of the sun.



LIVE FEEDBACK

ARC enables live communication between the hub and motors. Check motor battery levels and shade positions through the app or smart assistants



DISTINCT DESIGN

Designed in California, the Pulse 2 embraces elements from modern architecture to ensure it complements the interior of any home.



PERSONALIZED EXPERIENCE

Create custom rooms, scenes, routines and timers to enable efficient or automatic shade control based on time, weather or schedule.



HIGH-SPEED CONNECTION

Built-in Wi-Fi or the option of Ethernet connection, ensures the Pulse 2 can connect to any home network and provide swift, wireless control of Automate shades.



3 STEP SET UP

- No need to complicate things.
1. Power on.
 2. Download the App.
 3. Connect & Enjoy.



ARC™ (Automate Radio Communication) is Rollease Acmeda's proprietary technology utilizing 433MHz radio communication with bi-directional feedback that brings Automate motorized shading systems together.

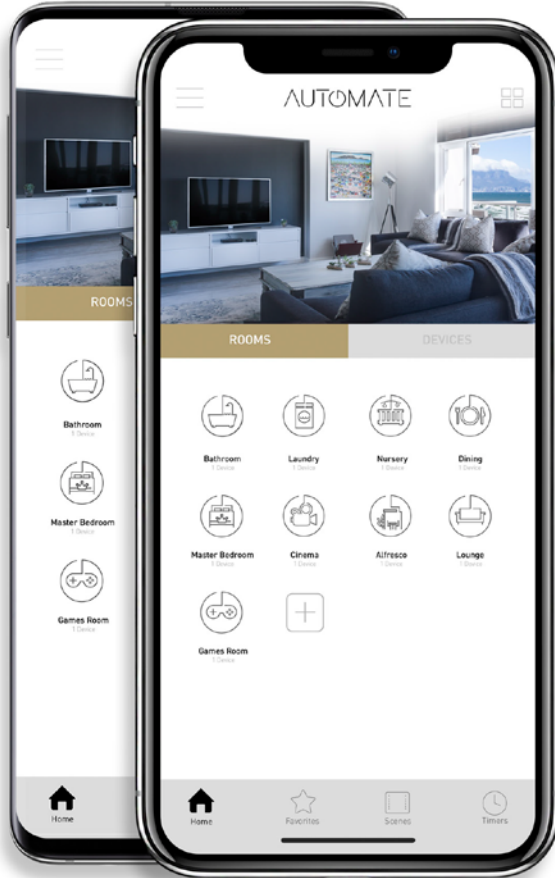
7 YEAR WARRANTY

A DIVISION OF
**ROLLEASE
ACMEDA**

© Rollease Acmeda Pty Ltd

85

SERIES



ROOMS

Group Automate shades by room and conveniently control them accordingly.



SCENES

Personalize shade control and organize how your shades operate by specific daily events.



TIMERS

Set and forget. Lower, raise and activate shade scenes automatically at the optimal time.



MULTIPLE SHADE TYPES

Awnings, Roller shades, External shades, Cellular ... Control every shade type from one screen.



INTEGRATIONS



+ MORE



A DIVISION OF
**ROLLEASE
ACMEDA**
© Rollease Acmeda Pty Ltd

85

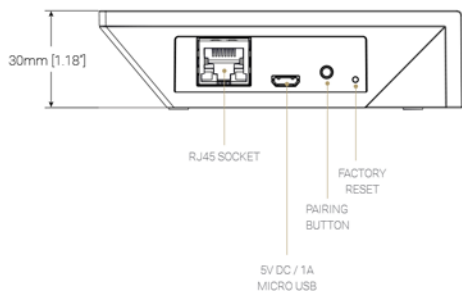
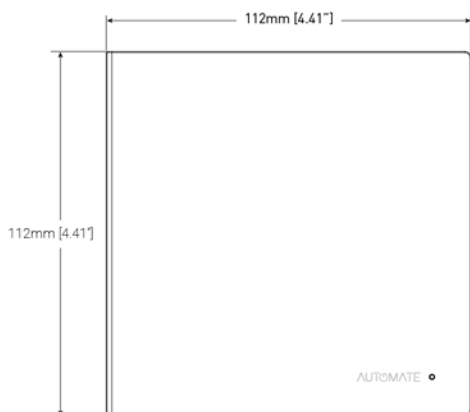
SERIES

PRODUCT SPECIFICATIONS

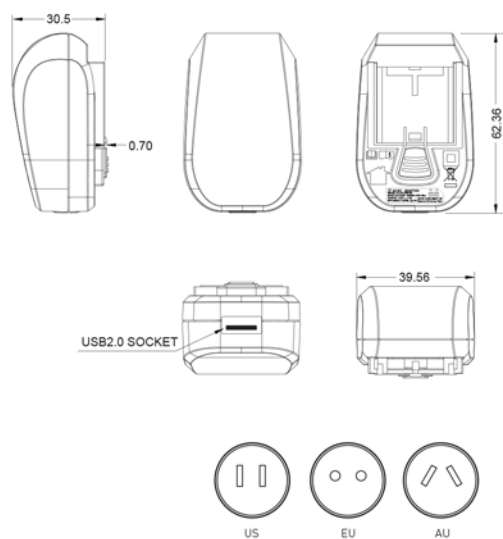
Part #: MT02-0401-067001 Automate Pulse 2 HUB

Input Voltage	5V	Apple IOS Version	Needs to be 10 or greater
Input Power	1000mA	Android Version	Needs to be 6.0 or greater
Wi-Fi network	2.4Ghz only	Devices	Compatible with Smart Phones, Tablets and Smart Watches
Shade Control Frequency	433.92 MHz	Accounts per Hub	5
Range	30 meters or 98 feet	Locations per Hub	5
Protection Class	IP20	Devices per Hub	30
Operation Temperature	32°F to 140°F (0°C to 60°C)	Hubs per Location	5
Connection	Ethernet and Wi-Fi	Rooms per location	30
IOT Integration	Apple HomeKit, Amazon Alexa, Google Assistant, IFTTT, SmartThings	Scenes per Location	20
Third Party Device Integration	Control4, ELAN, HomeSeer, Crestron AMX, Savant	Timers per location	20
Ethernet Cable	100cm	USB Cable Length	80cm

DIMENSIONS



POWER ADAPTORS



A DIVISION OF
**ROLLEASE
 ACMEDA**
 © Rollease Acmeda Pty Ltd

85 SERIES

AUTOMATE | C1.2 Drapery

Part #: MTACRFDR-50KG

Description: AC Drapery motor with RF control.

Part #: MTACRFDR-50KGLC

Description: AC Drapery motor with RF control w. 6m cable

FEATURES

- Electronic torque sensing "Autoset" Limits
- Leveling Control
- Favorite position
- Touch control
- 3 operational speed settings available
- 2-way RF communication
- Quiet Operation
- Top exit for power cord
- Soft start feature
- Supports max drape load of 50KG

TECHNOLOGIES



ELECTRONIC
LIMIT



LEVELING
CONTROL



FAVORITE
POSITION



SELECTABLE
RPM



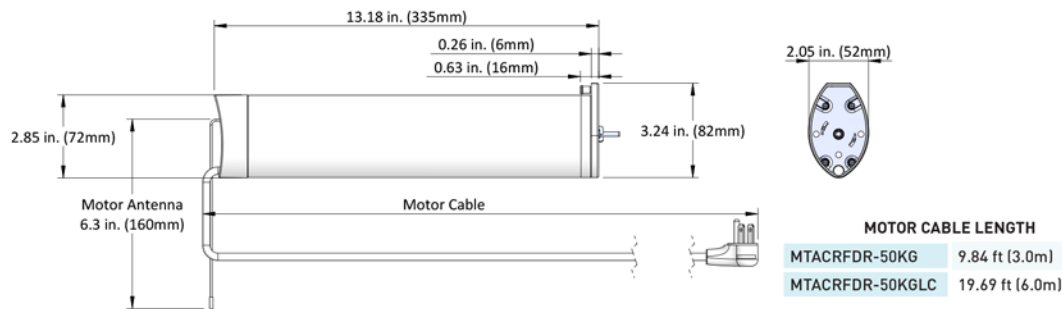
433 MHz
BI-DIRECTIONAL



QUIET
OPERATION



DIMENSIONS



SPECIFICATIONS

Voltage	110-240 Volts AC	IP Rating	IP40
Torque	1.2Nm	Limit Switch Type	Electronic
Max Run Time	4 Min	Amps	.15A
Speed	120 RPM(Adjustable to 100 or 80)	Temp Working Range	32°F to 140°F [0°C to 60°C]
Radio Frequency	433.92 MHz	Insulation Class	III
RF Modulation	FSK	Sound Level	~44DB

Leading innovator of precision hardware and automated shade solutions.
USA | AUSTRALIA | EUROPE rolleasemed.com

© 2016 Rollease Acmeda Group



85 SERIES

APPLICATIONS



SPLIT
DRAW



ONE WAY
DRAW

COMPATIBLE SYSTEMS

- Popular Drapery Track Hardware - Contact Rollease for Details

ACCESSORIES

POWER SOLUTIONS	Descr: AC Grounding 3 Conductor Male Plug Part #: MTAC-FIELDPLUG		Descr: Sun Sensor Part #: MTRF-SUNSENS
REMOTES & SWITCHES	Descr: Paradigm 1CH ARC Remote Part #: MTRF-REM-1	AUTOMATION DEVICES	Descr: 1 Channel Dry Contact Input Module 433 RF Part #: MTRF-DCIM-1C
	Descr: Paradigm 15CH ARC Remote Part #: MTRF-REM-15		Descr: ARC "Pulse" Wi-Fi to 433 2 way RF Bridge Kit Part #: MTRF-WIFIBRIDGE-KIT
	Descr: RF White 1 Channel Decorator Wall Switch (Cut In) Part #: MTRF-WS-1C	RELATED COMPONENTS	Descr: Track End Gear Pulley for MTACRFDR 50KG Part # MTDR-EP-DR-AC
	Descr: RF White 2 Channel Decorator Wall Switch (Cut In) Part #: MTRF-WS-2C		Descr: Drape Track Drive Belt 100 meter roll Part # MTDR-BELT
	Descr: RF White 15 Channel Decorator Wall Switch (Cut In) Part #: MTRF-WS-15		
Descr: RF White 5 Channel Decorator Surface Mount Switch Part #: MTRF-WS5-FLUSH			

PDRG_MTACRFDR-50KG_v1.3_AUGUST 2017

Leading innovator of precision hardware and automated shade solutions.
USA | AUSTRALIA | EUROPE rolleaseacmeda.com

© 2016 Rollease Acmeda Group

 **ROLLEASE
ACMEDA**
PRECISION IN MOTION

85

SERIES

AUTOMATE™

Versa Drapery Motor

Versatile. Inverted Mounting. Elegant Finish.

Perfect for Drapery applications, the extra quiet Versa Drapery Motor provides greater power source and installation flexibility.



INTERCHANGEABLE POWER SOURCE
Choose to have shades connected via line voltage for continuous power or opt for a wire-free set-up with a lithium-ion rechargeable battery pack.



SOFT START & STOP
Motor will slow down so drapes come together softly, upon closure, for a refined aesthetic.



MICRO USB CHARGING
When using the rechargeable battery pack, quickly and conveniently charge the motor with any micro USB cable charger.



ADJUSTABLE SPEED CONTROL
Three shade speed settings to suit your needs – faster for larger curtains/drapes, slower for smaller. Features quiet operation when set to the lowest speed setting.



INVERTED MOUNTING
Mount vertically within a ceiling pocket for a premium invisible aesthetic.



MANUAL ACTIVATION
Gently pull on the drape fabric and the motor will complete the action – automatically moving the drapes to the preferred, open or closed, position.



Automate Radio
Communication

7
YEAR
WARRANTY

MT01-2101-069002_Versa Drapery Motor_02122020_AU

85

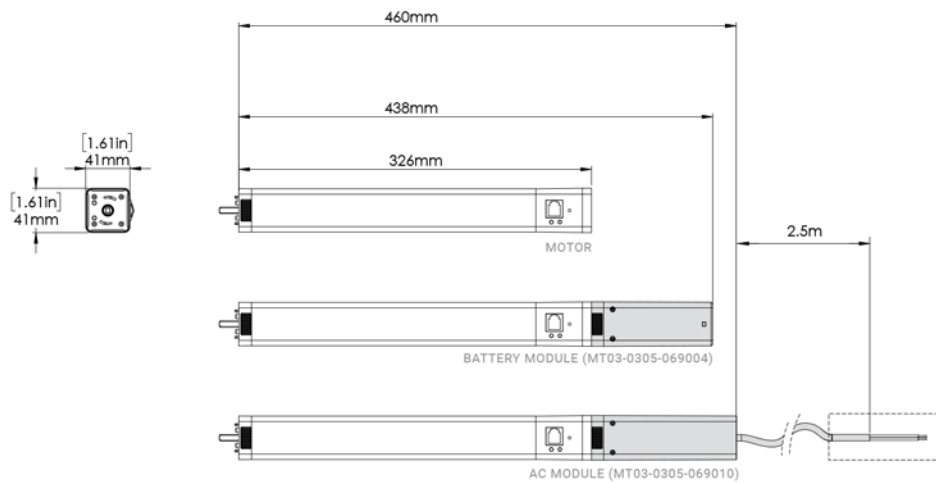
SERIES

PRODUCT SPECIFICATIONS

Part #: MT01-2101-069002 Automate Versa Drapery Motor

Voltage	240V	Limit Switch Type	Electronic
Torque	1.2Nm	Current	1.3A
Max Run Time	12 min	Battery Size/Type	2600mAh External Battery Pack
Speed	80rpm, 100rpm, 120rpm (Default speed)	Temp Working Range	32°F to 140°F (0°C to 60°C)
Radio Frequency	433.92	Insulation Class	Class A
RF Modulation	FSK	Sound Level	~44 dB
IP Rating	IP40	Power	20W

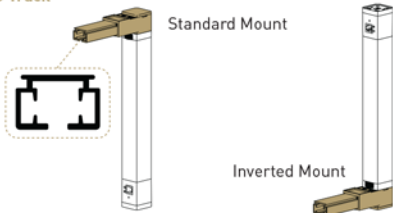
DIMENSIONS



COMPATIBLE SYSTEMS

- Industry Standard S Drapery Tracks

S Track



Type	Motor End Pulley	Overlap Return Pulley
S Track	MT03-0401-069004	MT03-0401-069013

COMPATIBLE ACCESSORIES (refer to catalog for full item listings)

Controllers



Pulse 2 HUB



Push remotes

Power Options

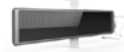


Battery Module



AC Module

Charging Options



Solar panel



Electric

MT01-2101-069002_Versa Drapery Motor_02122020_AU

A division of Rollease Acmeda

85

SERIES

Track Bending

